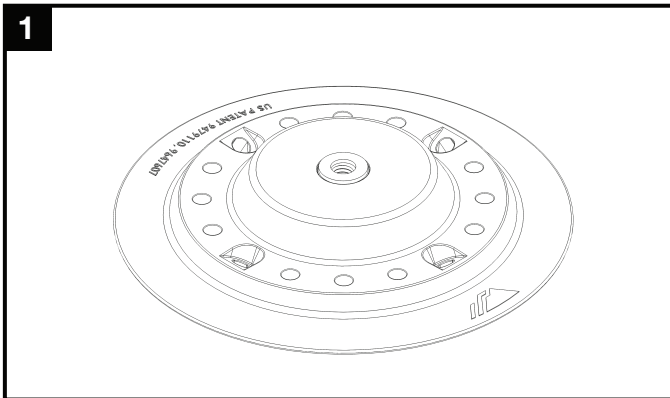


ITEM NO.	DESCRIPTION
1	FLAT ROOF ATTACHMENT, BASE
2	FLAT ROOF ATTACHMENT, MEMBRANE
3	WASHER, FLAT 3/8" X 1.25" OD SS
4	BOLT, 3/8-16 X 1.125" HEX, SS

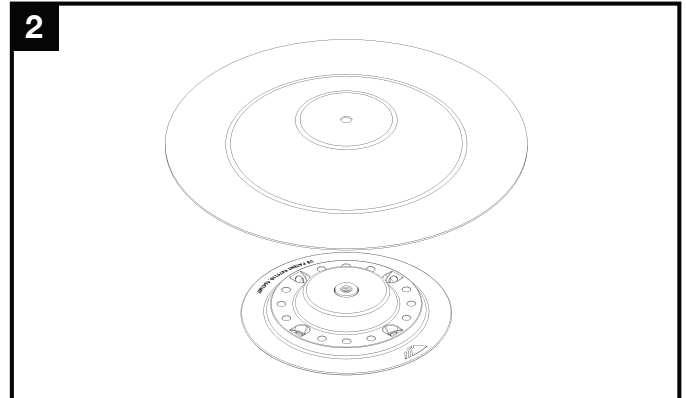
FLAT ROOF ATTACHMENT		
SIZE: A	DO NOT SCALE DRAWING	
SCALE:1:1	WEIGHT: 1.2 LBS	SHEET 1 OF 1

Installation

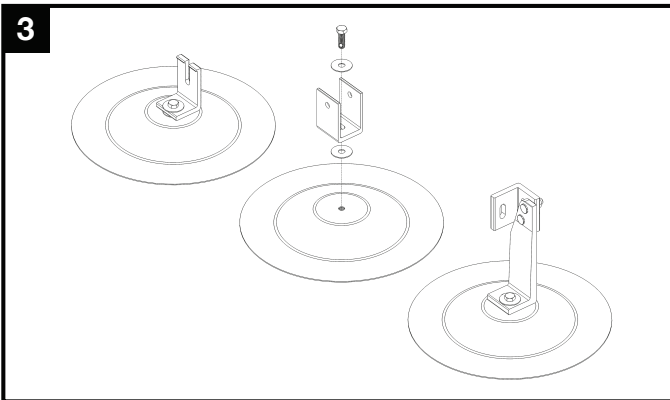
Tools Required: tape measure, chalk, approved sealing materials, roof screws, driver with 9/16" hex socket



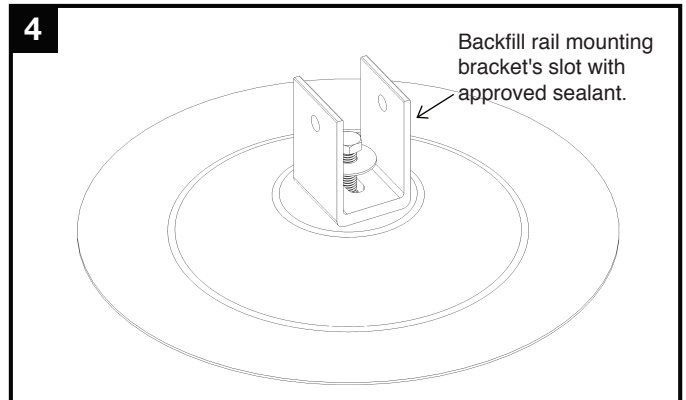
Mark locations for Flat Roof Attachment. Roof screws can be installed before or after racking is installed. Type, size, and quantity of roof screws to be specified by Structural Engineer. Fastener size not to exceed #15. Screws should be installed symmetrically to each other.



If using a membrane flashing, remove the silicone washer's protective liner prior to attaching the membrane. Thread a bolt into the base to help center the membrane during the welding or adhering process. Ensure membrane flashing is compatible with existing roofing material.



Attach rail mounting bracket with washers and 3/8" hardware torqued to 250 in-lbs (21 ft-lbs). Seal attachment and/or membrane per roofing manufacturer's requirements.



For freeze/thaw locations, a roof manufacturer's approved sealant should be applied around the 3/8" bolt and in the bracket's slot prior to tightening the bolt.

Structural Certification

Designed and Certified for Compliance with the International Building Code & ASCE/SEI-7.

UL 2703

Conforms to UL 2703 Mechanical and Bonding requirements. See Ironridge Tilt or Flush Mount Manuals for full ratings.